

# Outdoor IP65 Waterproof Digital Kiosks

- ◆ Outdoor Digital Kiosk with IP65
- ◆ Outdoor Wallmounted LCD Display

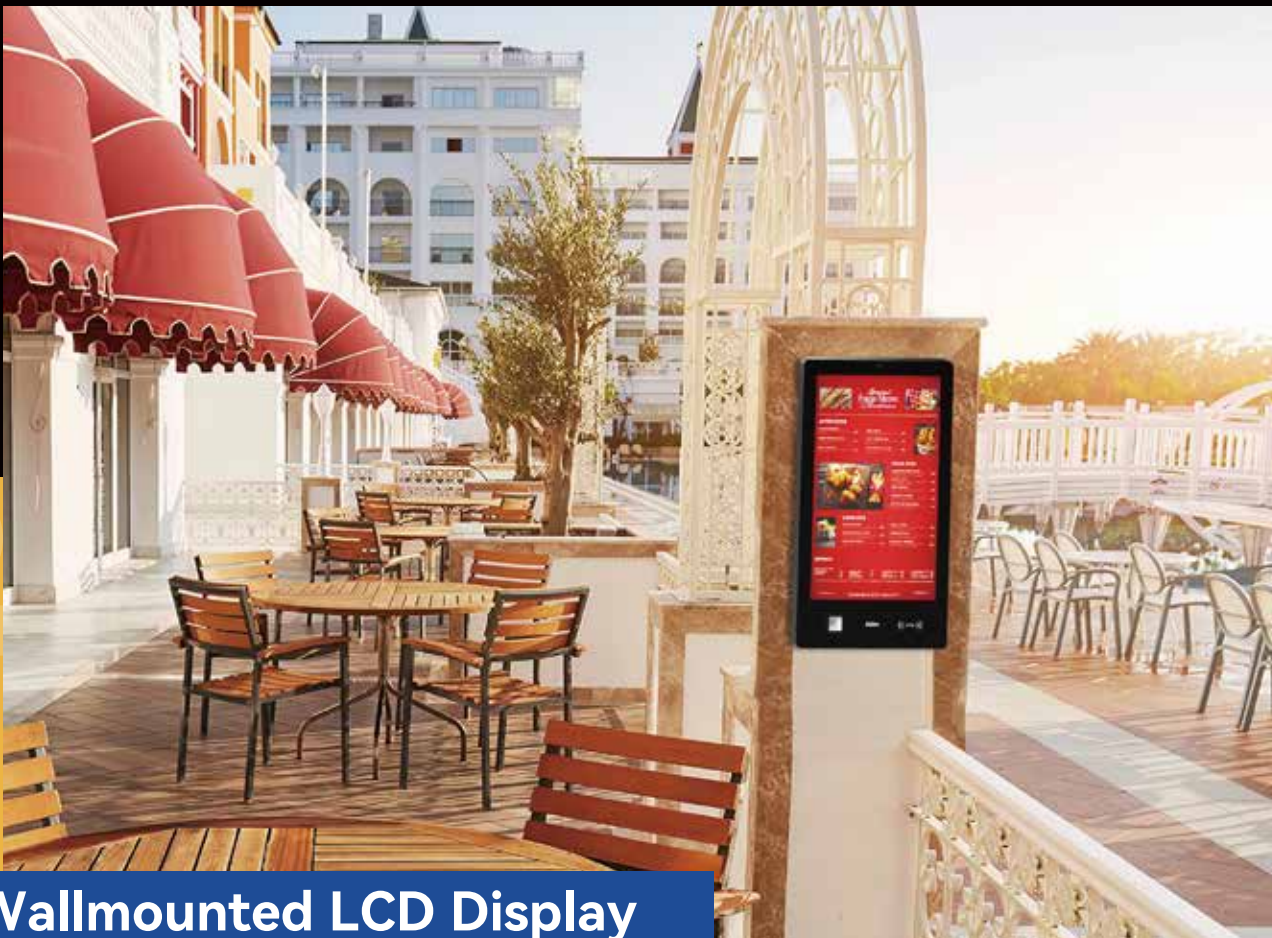


# Content



P<sub>2~11</sub>

Outdoor Digital Kiosk with IP65



P<sub>12~16</sub>

Outdoor Wallmounted LCD Display



Direct Sunlight Protection



Snow Protection



Dust Protection



Rain Protection



# Outdoor Digital Kiosk with IP65

ODL Series



ODLG Series



Stainless Steel

ODLM Series



ODD Series



# Tempered Glass Protection

7 mm laminated tempered glass, with both anti-collision and sun protection functions.

## System



CMS



Hight Brightness



WiFi



Auto Brightness  
Sensor



7/24/365



Sunlight Readable



Audio System



IP65



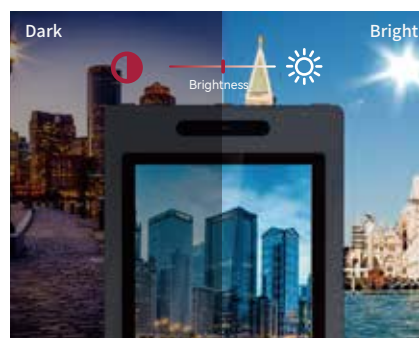
# Outdoor Sunlight Readable Interactive Kiosks with IP65

RS-430DLAZ RS-550DLAZ



## High Brightness, Sunlight Readable

Outdoor display has high brightness of 4,000 cd/m<sup>2</sup> and antireflection glass, which delivers content clearly in the direct sunlight, catches the attention of viewers no matter where they are and achieve itself to be excellent visibility.



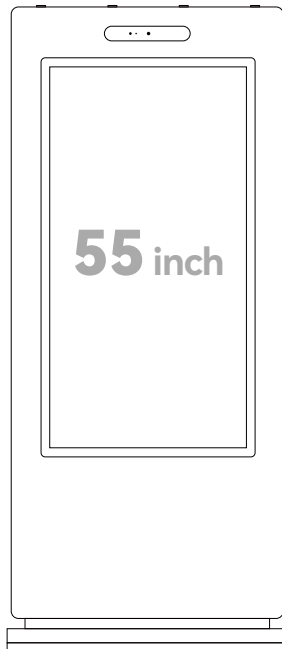
## Auto Brightness Control

The outdoor screen brightness can be automatically adjusted depending on the light.



## Supported Operating Temperature

Unique technology on LCD panel provides excellent reliability under a wide range of operating temperatures.



### Add-ons



4G(LTE Advanced)  
Optional



High Brightness  
1500-3500 nits Optional



2K/4K Optional

### Optional OS



Android



Windows



LCD Monitor



Plug & Play

### Optional Panel Size

32 inch-75 inch

## Specifications RS-550DLAZ

Panel		Packaging	
Panel Model	55 inch TFT LED	Machine Size(mm)	902.5×540×2260
Max Resolution	1920×1080	Machine Weight	204 kg
Aspect Ratio	16:09	Out put	AC 100-240 V, 50-60 Hz
Pixel Pitch	0.63×0.63	Consumption	270 W
Viewing Angle	89/89/89/89	Processor	RK3288
Contrast Ratio	1400:1	Ram	2 GB DDR3
Brightness	3500 cd/m <sup>2</sup>	Hard drive	8 GB
Response Time	6 ms	OS	Android 7.1
Display Area(mm)	1209.6×680.4	Compatible With Android, Windows (Customized Unit Optional)	
Panel Size(mm)	1244.6×720.9		
Screen Weight	17.5 kg		

# 65" Outdoor Full-Glass Stainless Steel Digital Kiosk

RS-650DLGAZ



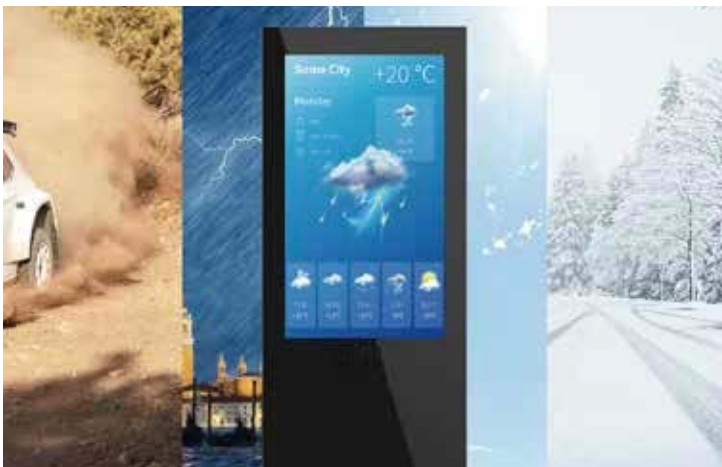
## Stainless Steel Case

Anti-oxidation and corrosion resistance, durable outdoors. Original color glossy texture, beautiful and elegant.



## Full Glass Covered Front

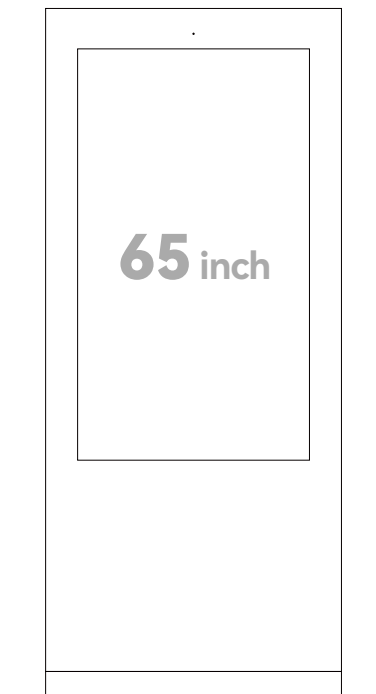
Black laminated tempered glass has sun protection and anti-collision functions, and can also improve the aesthetics.



## The Whole Kiosk Is IP65 Grade

Completely waterproof and dustproof, supports outdoor use in any weather.





### Add-ons



4G(LTE Advanced)  
Optional



High Brightness  
1500-3500 nits Optional



2K/4K Optional

### Optional OS



Android



Windows



LCD Monitor



Plug & Play

## Specifications RS-650DLGAZ

Panel		Packaging	
Panel Model	65 inch TFT LED	Machine Size(mm)	1308.5×684×2406
Max Resolution	3840×2160	Machine Weight	364 kg
Aspect Ratio	16:09	Out put	AC 100-240 V, 50-60 Hz
Pixel Pitch	0.372×0.372	Consumption	850 W
Viewing Angle	89/89/89/89	Processor	RK3288
Contrast Ratio	1400:1	Ram	2 GB DDR3
Brightness	3500 cd/m <sup>2</sup>	Hard drive	8 GB
Response Time	13 ms	OS	Android 7.1
Display Area(mm)	1428.48×803.52	Compatible With Android, Windows (Customized Unit Optional)	
Panel Size(mm)	1459.2×830×16		
Screen Weight	22.7 kg		

# 55" Outdoor Double-sided Digital Menu Display

RS-5500DLMAZ



## Double Sided Display

The symmetrical double-sided large screen brings a more impactful displaying effect and both screens can display same or different contents.



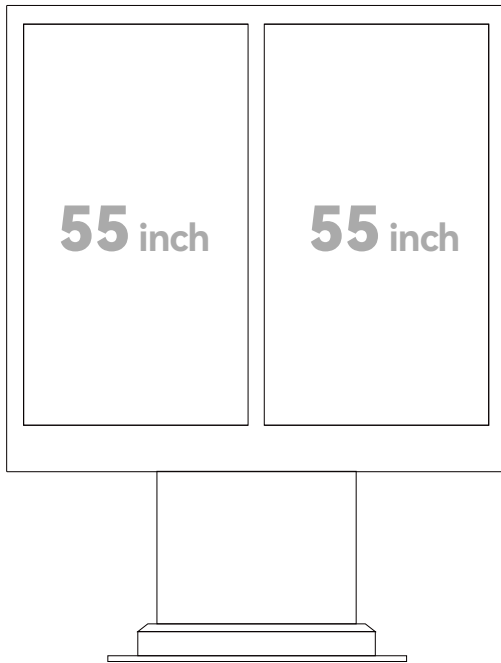
## Super Clear Even under Direct Sunlight!

Up to 4000 nits brightness, no fear of any direct sunlight.



## Built-in 2×10 W Speakers

Bringing both visual and auditory attraction to customers!



### Add-ons



4G(LTE Advanced)  
Optional



High Brightness  
1500-3500 nits Optional



2K/4K Optional

### Optional OS



Android



Windows



LCD Monitor



Plug & Play

## Specifications RS-550DLMAZ

Panel		Packaging	
Panel Model	55 inch TFT LED	Machine Size(mm)	1520.52×440×1973
Max Resolution	1920×1080	Machine Weight	390 kg
Aspect Ratio	16:09	Out put	AC 100-240 V, 50-60 Hz
Pixel Pitch	0.63×0.63	Consumption	485 W
Viewing Angle	89/89/89/89	Processor	RK3288
Contrast Ratio	1400:1	Ram	2 GB DDR3
Brightness	3000 cd/m <sup>2</sup>	Hard drive	8 GB
Response Time	6 ms	OS	Android 7.1
Display Area(mm)	1209.6×680.4	Compatible With Android, Windows (Customized Unit Optional)	
Panel Size(mm)	1244.6×720.9		
Screen Weight	17.5 kg		

# 65" Dual Sides Outdoor Digital Signage Display

RS-650DDAZ



Double Sided, Simultaneous Display



## High Brightness

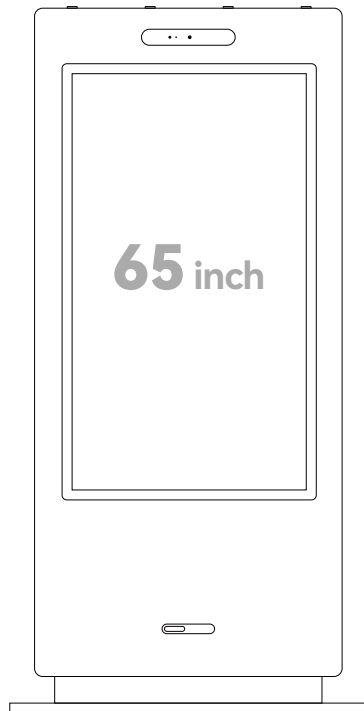
3500-4000 cd/m<sup>2</sup> high brightness anti reflective glass for direct and clear transmission of content.



## Electrical Safety

Built-in circuit breaker and surge suppressor ensure absolute protection against overload, short circuit and undervoltage.





### Add-ons



4G(LTE Advanced)  
Optional



High Brightness  
1500-3500 nits Optional



2K/4K Optional

### Optional OS



Android



Windows



LCD Monitor



Plug & Play

### Optional Panel Size

43 inch-75 inch

## Specifications RS-650DDAZ

Panel		Packaging	
Panel Model	65 inch TFT LED	Machine Size(mm)	2480×312×1098.7
Max Resolution	3840×2160	Machine Weight	641 kg
Aspect Ratio	16:09	Out put	AC 100-240 V, 50-60 Hz
Pixel Pitch	0.372×0.372	Consumption	1175 W
Viewing Angle	89/89/89/89	Processor	RK3288
Contrast Ratio	1400:1	Ram	2 GB DDR3
Brightness	3500 cd/m <sup>2</sup>	Hard drive	8 GB
Response Time	13 ms	OS	Android 7.1
Display Area(mm)	1428.48×803.52	Compatible With Android, Windows (Customized Unit Optional)	
Panel Size(mm)	1459.2×830×16		
Screen Weight	22.7 kg		



ODCG Series



ODBS Series



System



IP65



High Brightness



CMS



WiFi



7/24/365



Audio System



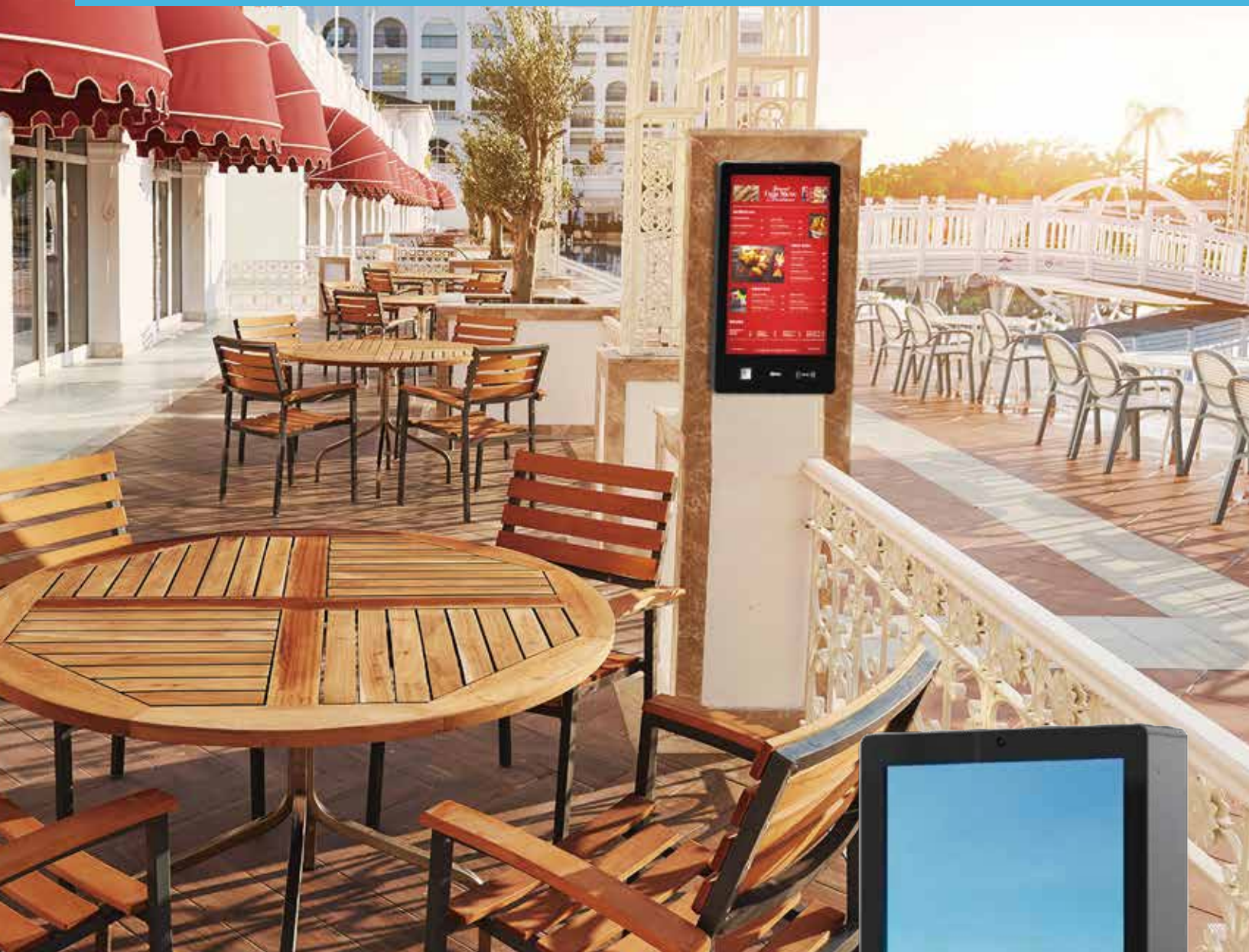
Sunlight Readable

# Outdoor Wallmounted LCD Display



# Outdoor Wall Mount Self-Checkout Kiosk With Payment Options

RS-2200DCGTAZ-PCAP



## Expand Restaurant Service Space

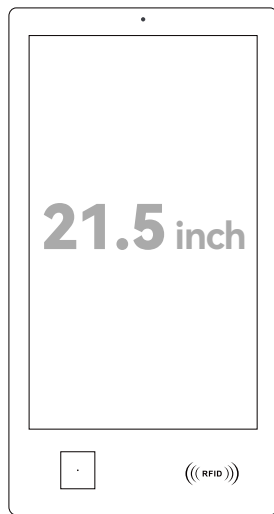
The wall-mounted installation makes reasonable use of the external space of the restaurant and can provide customers with various self-service services outdoors all day long.



## Integrated Self-Service Order and Payment Kiosks

Integrated 10-points capacitive, RFID card reader, QR code scanner and camera, providing multiple payment methods such as card swiping/code scanning/face recognition. Easily complete the entire process from ordering to payment with one kiosk.





### Add-ons



4G(LTE Advanced)  
Optional

### Optional OS



Android



Windows



LCD Monitor



Plug & Play

## Specifications RS-2200DCGTAZ-PCAP

Panel		Packaging	
Panel Model	21.5 inch TFT LED	Machine Size(mm)	322.73×78×611.25
Max Resolution	1920×1080	Machine Weight	15.5 kg
Aspect Ratio	16:09	Out put	AC 100-240 V, 50-60 Hz
Pixel Pitch	0.24795×0.24795	Consumption	68 W
Viewing Angle	89/89/89/89	Processor	RK3288
Contrast Ratio	1000:1	Ram	2 GB DDR3
Brightness	1500 cd/m <sup>2</sup>	Hard drive	8 GB
Response Time	14 ms	OS	Android 7.1
Display Area(mm)	476.064×267.786	Compatible With Android, Windows (Customized Unit Optional)	
Panel Size(mm)	495.6×292.2×10.7		
Screen Weight	2 kg		



## 55" Full Glass High Brightness Waterproof Ultra Thin Monitor for Outdoor

RS-550DBSAZ

### Clear and Bright Display All Day Outdoors

Sunlight-readable 3500 nits high-brightness display with built-in dimming sensor can display content clearly and brightly no matter day or night.



### CNC Shell

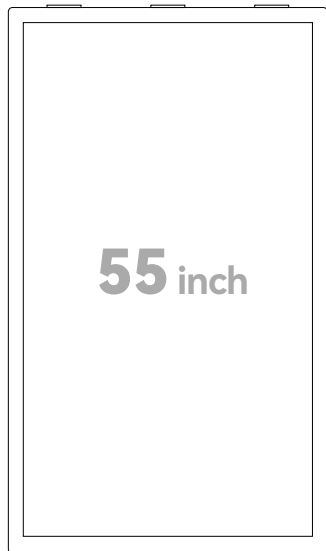
It has an integrated design with ultra-narrow bezels and an extremely thin body. It is made of high-heat dissipation and high-protection all-aluminum material, which is lightweight and durable.



### Sun Protection and Explosion-Proof

The front is fully covered with laminated tempered glass, with IK10 anti-collision rating and sun protection function.





### Add-ons



4G(LTE Advanced)  
Optional



High Brightness  
1500-3500 nits Optional



2K/4K Optional

### Optional OS



Android



Windows



LCD Monitor



Plug & Play

## Specifications RS-5500BSAZ-PCAP

Panel		Packaging	
Panel Model	55 inch TFT LED	Machine Size(mm)	752.4×136.44×1283.9
Max Resolution	1920×1080	Machine Weight	66 kg
Aspect Ratio	16:09	Out put	AC 100-240 V, 50-60 Hz
Pixel Pitch	0.63×0.63	Consumption	240 W
Viewing Angle	89/89/89/89	Processor	RK3288
Contrast Ratio	1400:1	Ram	2 GB DDR3
Brightness	3500 cd/m <sup>2</sup>	Hard drive	8 GB
Response Time	6 ms	OS	Android 7.1
Display Area(mm)	1209.6×680.4	Compatible With Android, Windows (Customized Unit Optional)	
Panel Size(mm)	1244.6×720.9		
Screen Weight	17.5 kg		